

Nebula Networked AV™

Lighten every star



FOR STYLISH LIVING

aavara

Commercial AV • Conference Room AV
Seamless Cross Display KVM • Residential AV

*Entregado a
la Excelencia*





PB9700

4K Dolby Vision HDR, Dolby ATMOS/DTS X Audio Support



AV Matrix

VideoWall

USB IP KVM

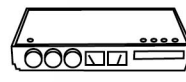
HDR

HDCP 2.2

Way to Control



AV Master Web Control



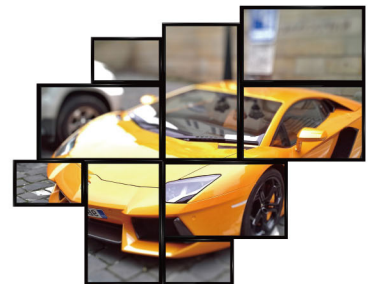
3rd Party Controller Integration



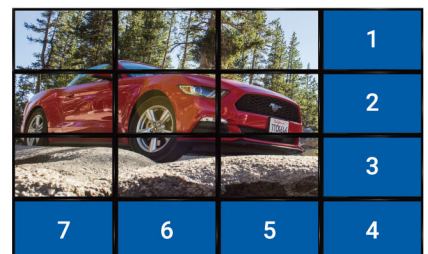
Keyboard HotKeys Control

- Flexible Digital Media Distribution over Inexpensive 1 Gbps Ethernet Network
- 4K60Hz 4:4:4 Video and Dolby ATMOS Audio Extension
- 36bit Color Engine for Dolby Vision, HDR 10, HDR 10+, HLG
- Upscale/Downscale Video to fit Display Requirement
- Seamless Cross Multiple Displays KVM Switching
- Powerful Centralized Web Interface Management
- Easy Large Matrix/VideoWall Configuration with CSV File managed by Ms Excel
- Great Video Wall, Matrix and KVM Versatility
- Video Sub-Stream for viewing video snapshot on connected iPad/Tablet/Notebook

Asymmetric VideoWall



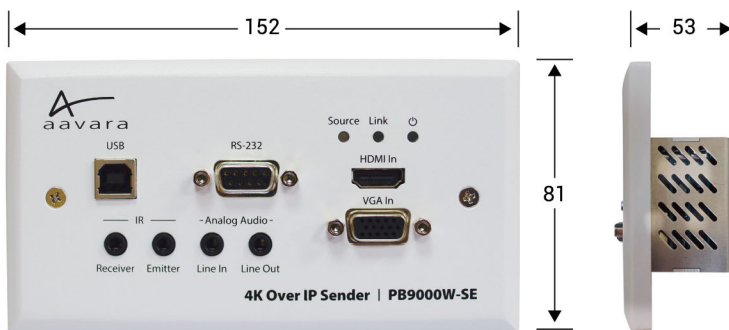
Symmetric VideoWall





PB9000W-SE

4K Over IP Wall Plate Sender



EU 2 Gang Form Factor

- Power from POE
- HDMI Video Input up to 4K@60Hz 4:2:0 / 4K30Hz 4:4:4 HDR
- HDMI Audio up to 7.1ch LPCM/dts/Dolby ATMOS
- Video/Audio Input: HDMI x 1, VGA x 1 (w/ Analog Audio 3.5mm jack)
- IR Control: IR Emitter x 1, IR Receiver x 1
- Serial Control: RS232 (DB-9) x 1
- USB Pass-Thru: USB (Type B) x 1
- Ethernet RJ45 Connector w/ 802.3af PoE

Unit: mm

PB9000-SE+

4K Over IP Sender w/ HDMI Loop out, & S/PDIF TOSLINK Out



HDMI Loopout

S/PDIF Out

With PB9000 all existing features and functions, adding following new features:

- **HDMI Loop out**
For local Monitor/TV or AV Receiver connection, up to 4K video and Dolby ATMOS/DTS X audio output.
- **Standalone S/PDIF TOSLINK Fiber Optics audio output**
Support up to 8 ch LPCM, Dolby Digital (AC3) and DTS 5.1 output. Optimized for Video source and AV Receiver nearby.

PB9000HD-SE

1080p Over IP Sender that work with PB9000

Work with PB9000 and Up Scale 1080p Video Source input to 4K output w/ PB9000-RE Receiver Support

- HDMI Input: Up to 1080p 60Hz 4:4:4 HDR Video, 7.1ch LPCM/Dolby/DTS Audio
- Video Input: Up to 1920x1200@60Hz(DVI), 1920x1080@60Hz(VGA)
- USB 2.0 Pass-Thru for KVM Application
- Two Ways IR/RS232/CEC pass-Thru and IP commands

PB9000-RE

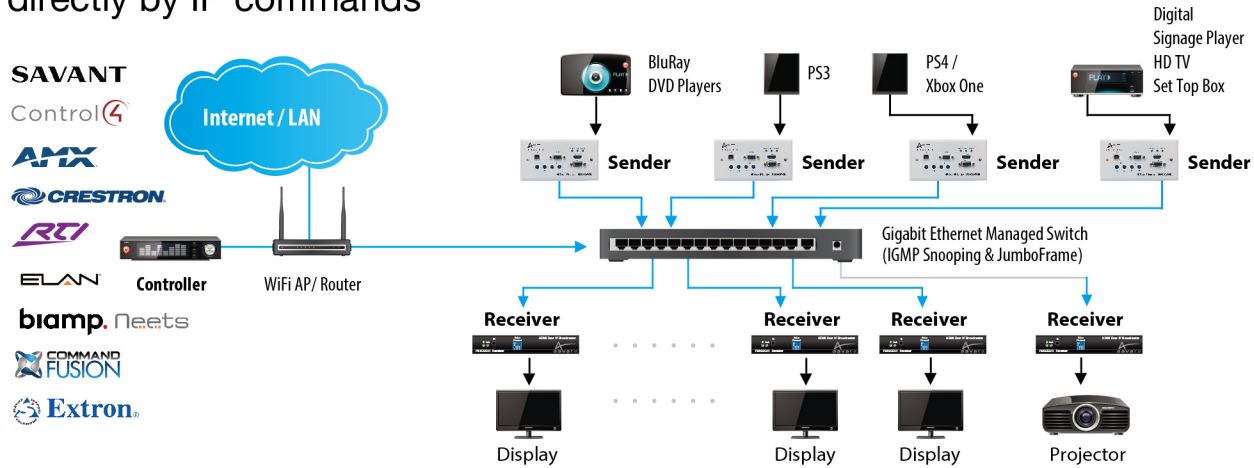
4K Over IP Receiver w/ Video Scaler



- Built-in Video Scaler for Up/Down Scale 1080p <-> 4K Video Output
- Independent Matrix Routing for Video, Audio, IR, RS232, USB
- Seamless Cross Display KVM Switching w/ USB 2.0 Pass-Thru
- CEC/IR/RS232 Control Signal Pass-Thru & IP Command
- VideoWall Easy Setup & Flexible Operate by Easy Web Interface
- Keyboard Hotkeys Control
- Video Snapshot

3rd party Controller integration

Controller driver provided, allowing controller to control Aavara Box directly by IP commands



Aavara AV Master Web Control

Built-in in box without additional cost, just one Web page can centralize control entire AV Matrix and VideoWall



- Auto Search All Senders & Receivers
- Video Snapshot on Both Input and Output
- Multi User Management
- Drag and Drop Matrix / VideoWall Control
- Video Snapshot
- Display/Device Control(CEC/IR/RS232)
- Customize EDID Upload
- Setup by CSV files Upload/ Download



IR Remote Video Channel Control

A 16 channels IR remote included in PB9000 receiver. User can use Universal IR Remote for controlling Over IP Receiver and Video Source with ONE remote. Ideal for home or small commercial installation.

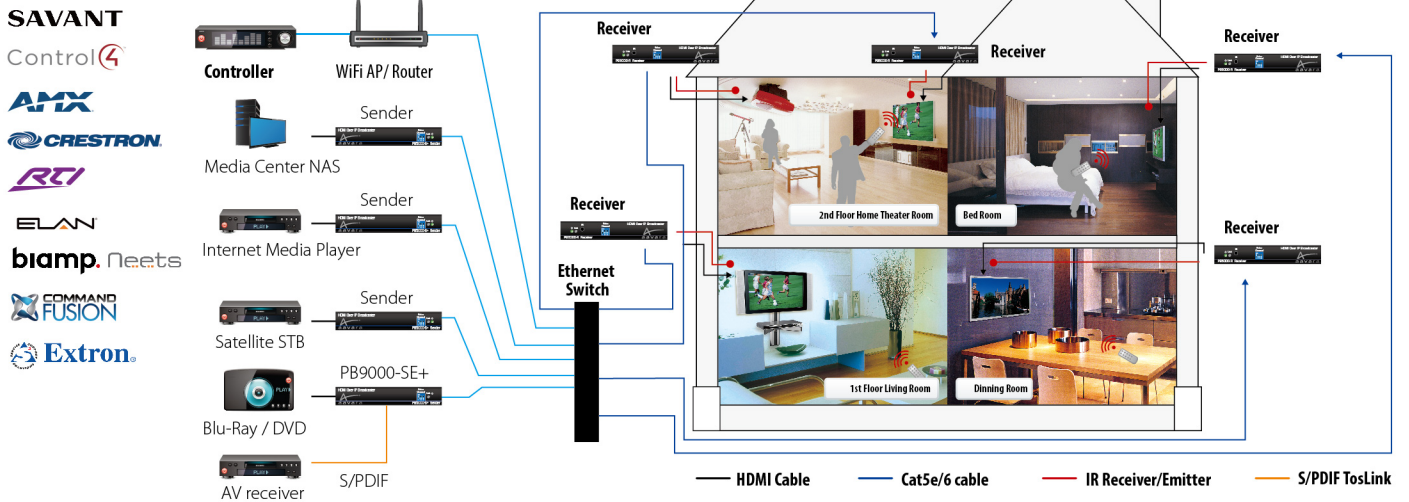


Keyboard Hotkeys Control

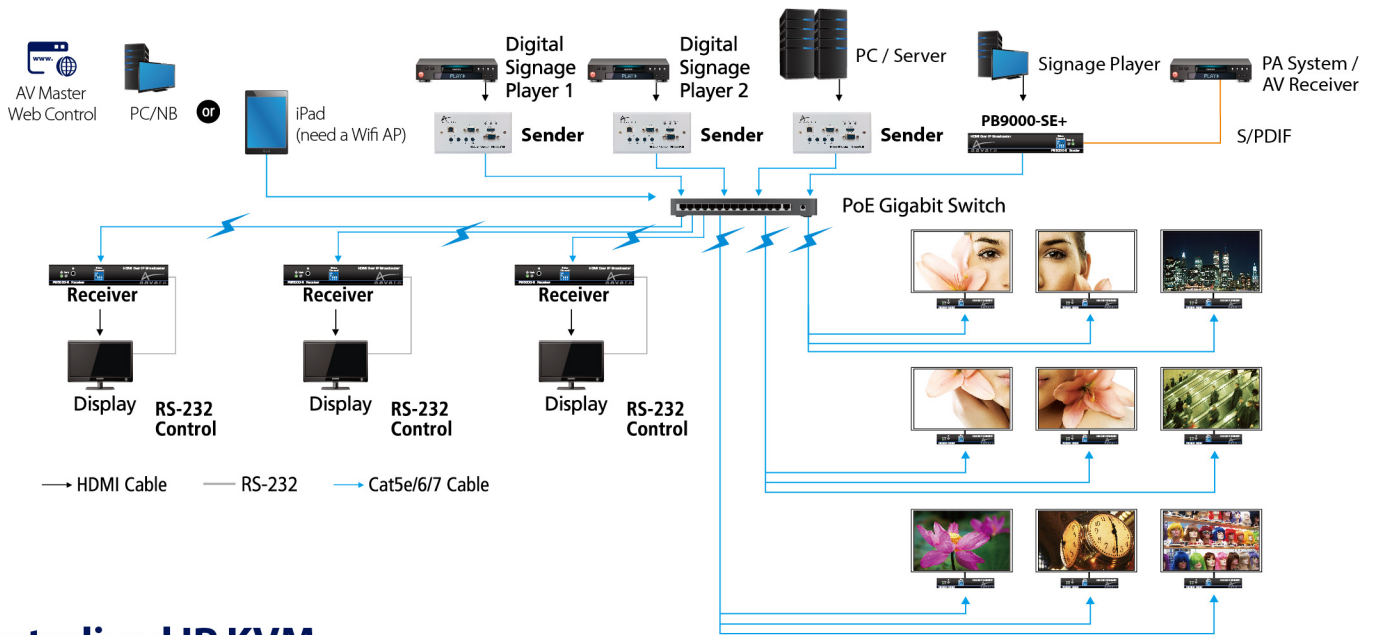
Just plug-in an USB Keyboard at PB9000 Receiver's USB port. User can use Keyboard Hotkeys to switch Receiver quickly. Ideal for IP KVM application.

*All trademarks, service marks, trade names and logos are the property of their respective owners.

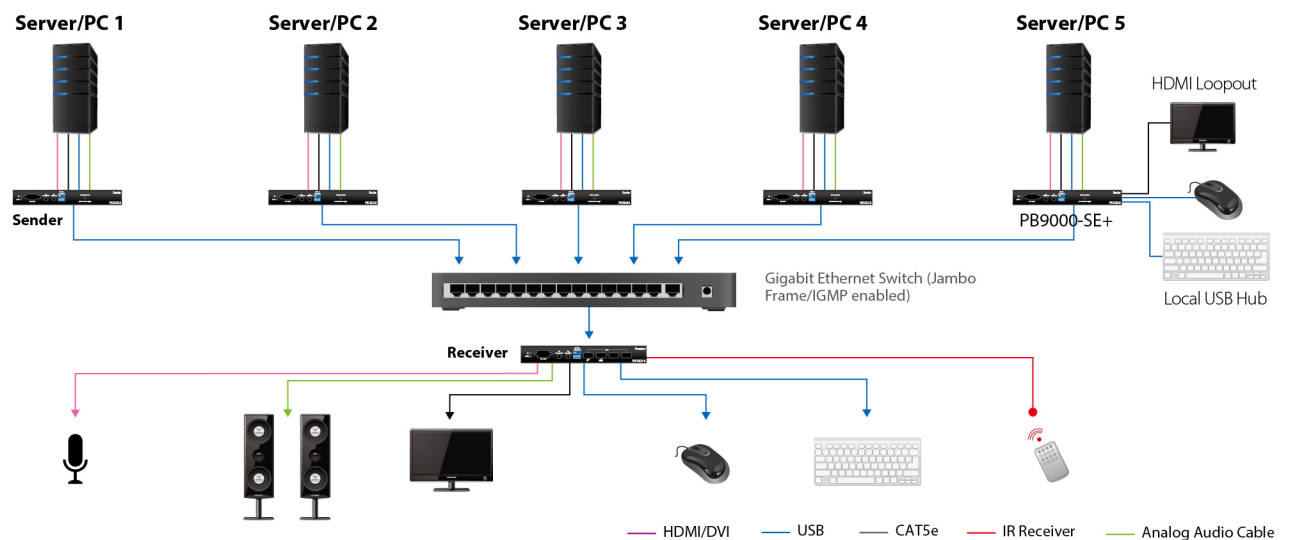
Residential AV Matrix



Scalable & Flexible Digital Signage/Meeting Room/VideoWall

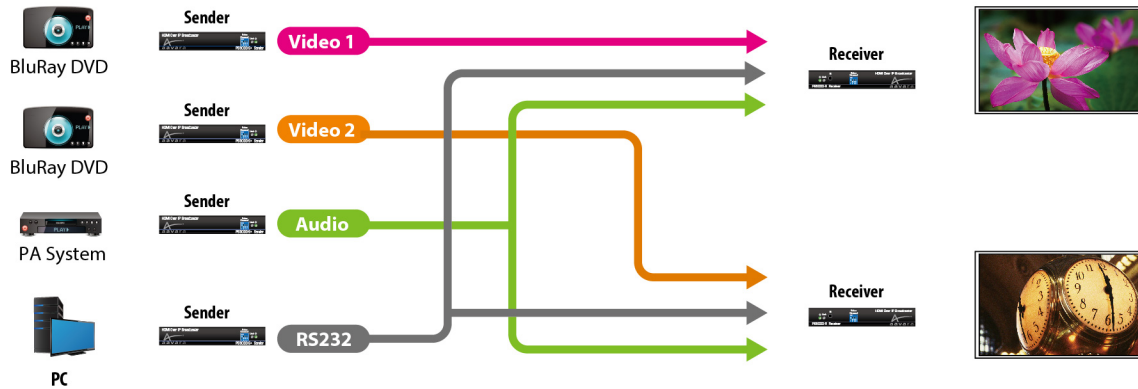


Centralized IP KVM

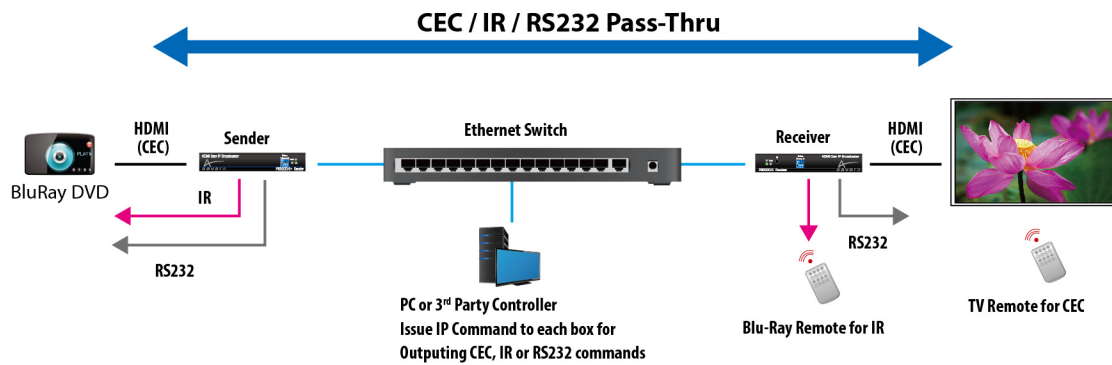


Independent Matrix Routing for Each Service

(Video, Audio, RS232, IR and USB)



CEC / IR / RS232 Over IP



Seamless Cross Display KVM

